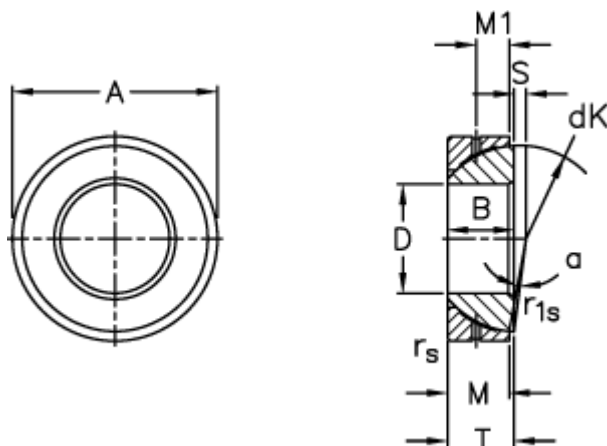


Article number: 03509085

Description: Fluro Rod end GE 85SX

## Measures



A	= 130 0 -0,020	S	= 9.4
B	= 29	Static load C0 (kN)	= 1422
D	= 85 0 -0,020	T	= 29 +0,25 -0,60
dK	= 122	Tilt angle	= 2
Dynamic load C (kN)	= 284	Weight	= 1610
M	= 26.5		
M1	= 14.5		
rs, r1s min	= 1.1		